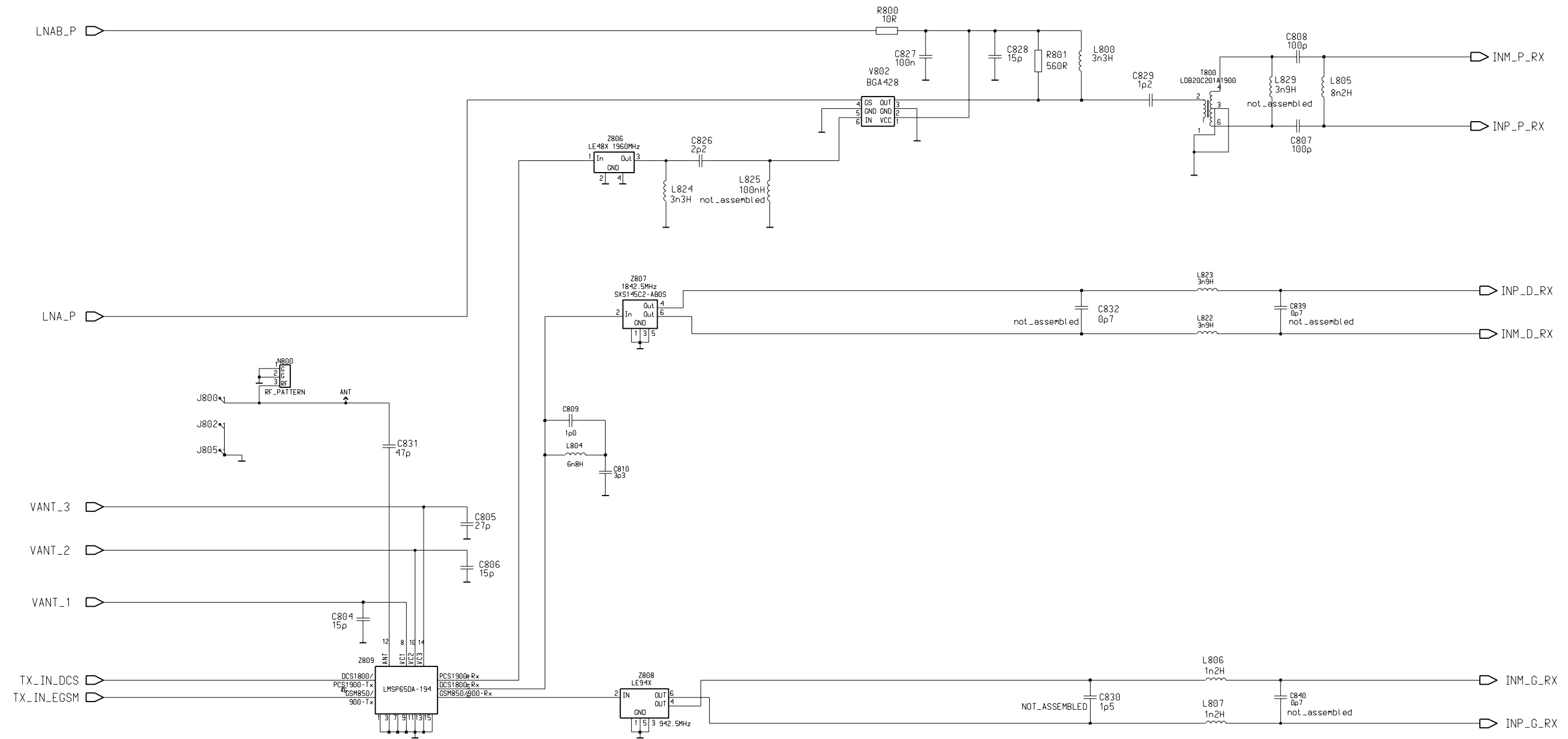


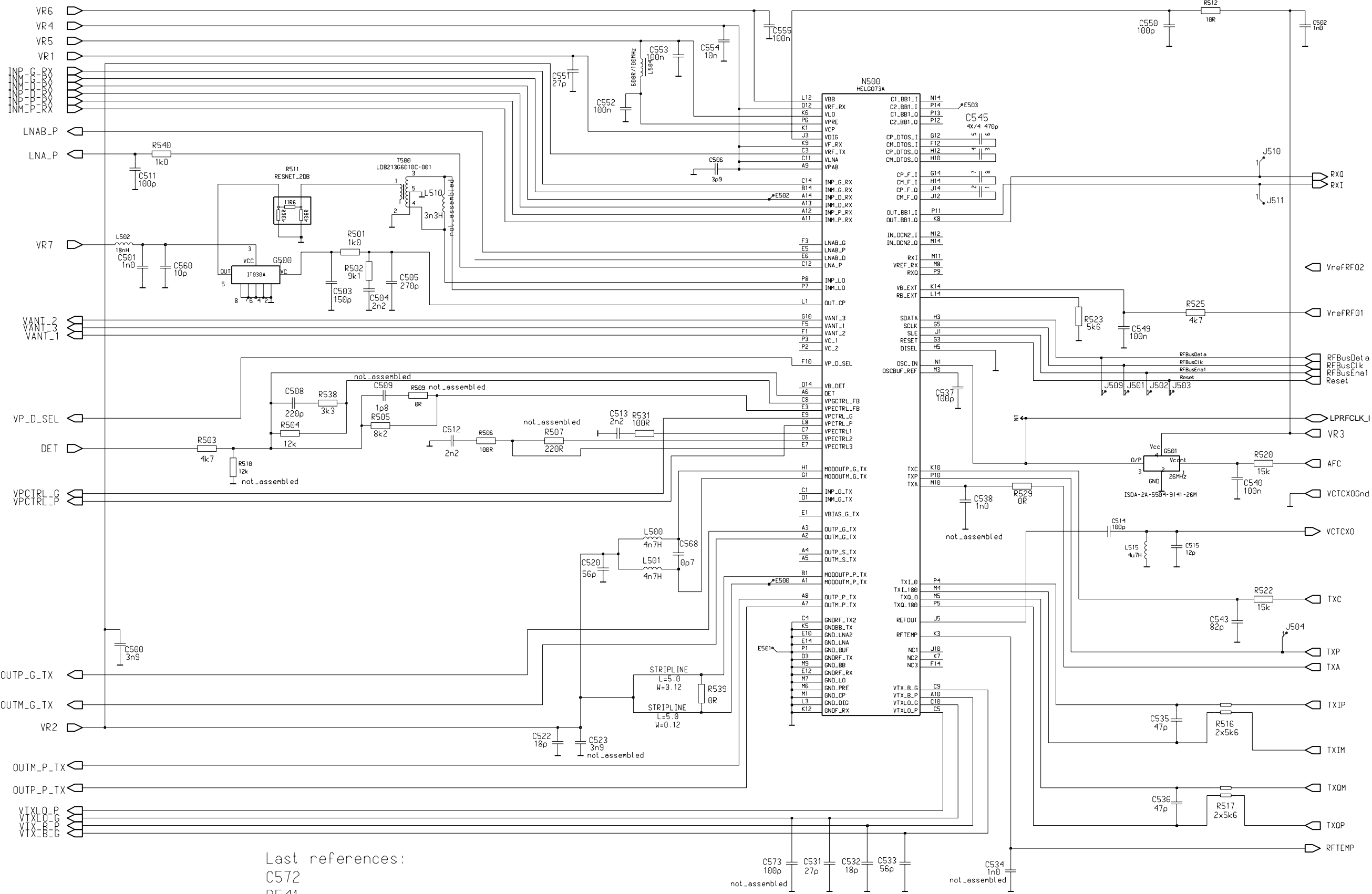
RX Front End and Antenna Switch, v. 0.0, ed. 75



Last references :

- C840
- R807
- L828
- Z809
- V800

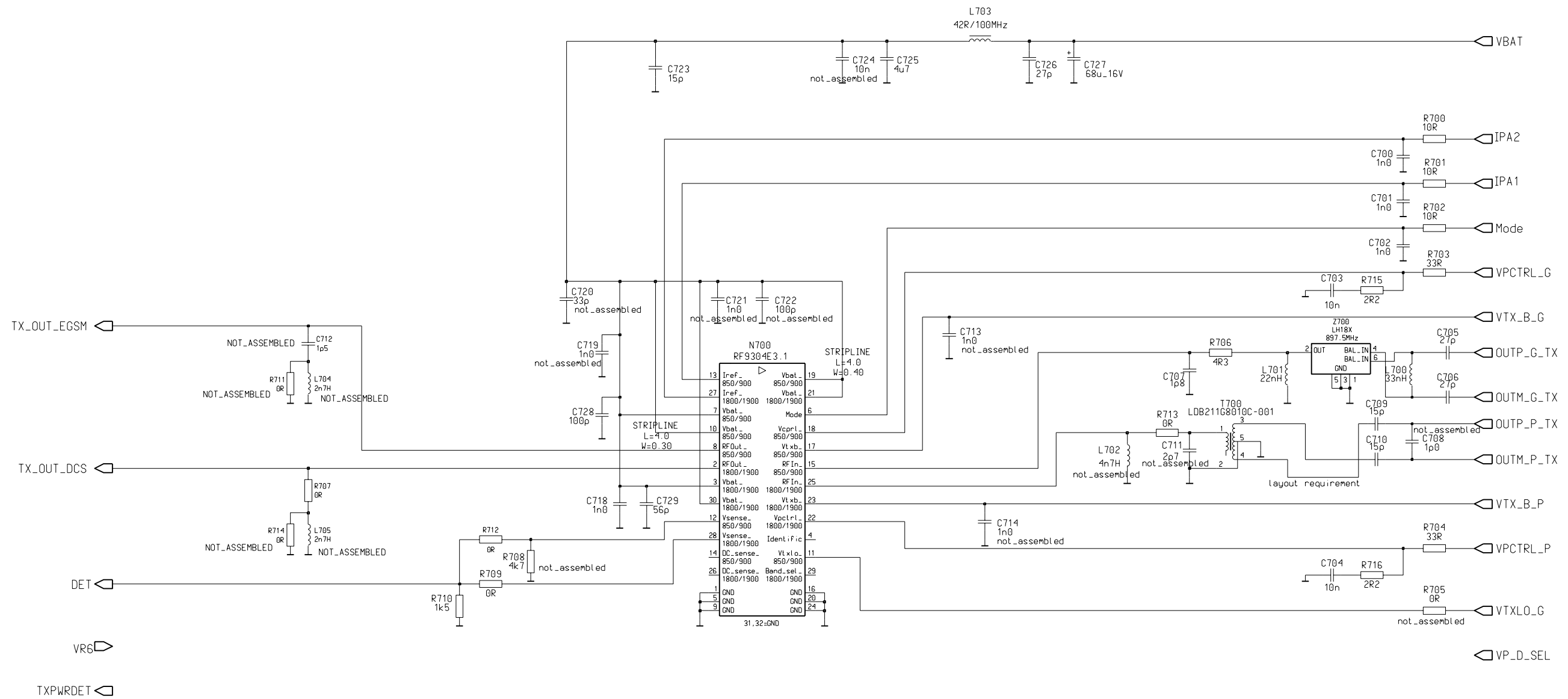
HELGA



Last references:
 C572
 R541
 L511
 T501

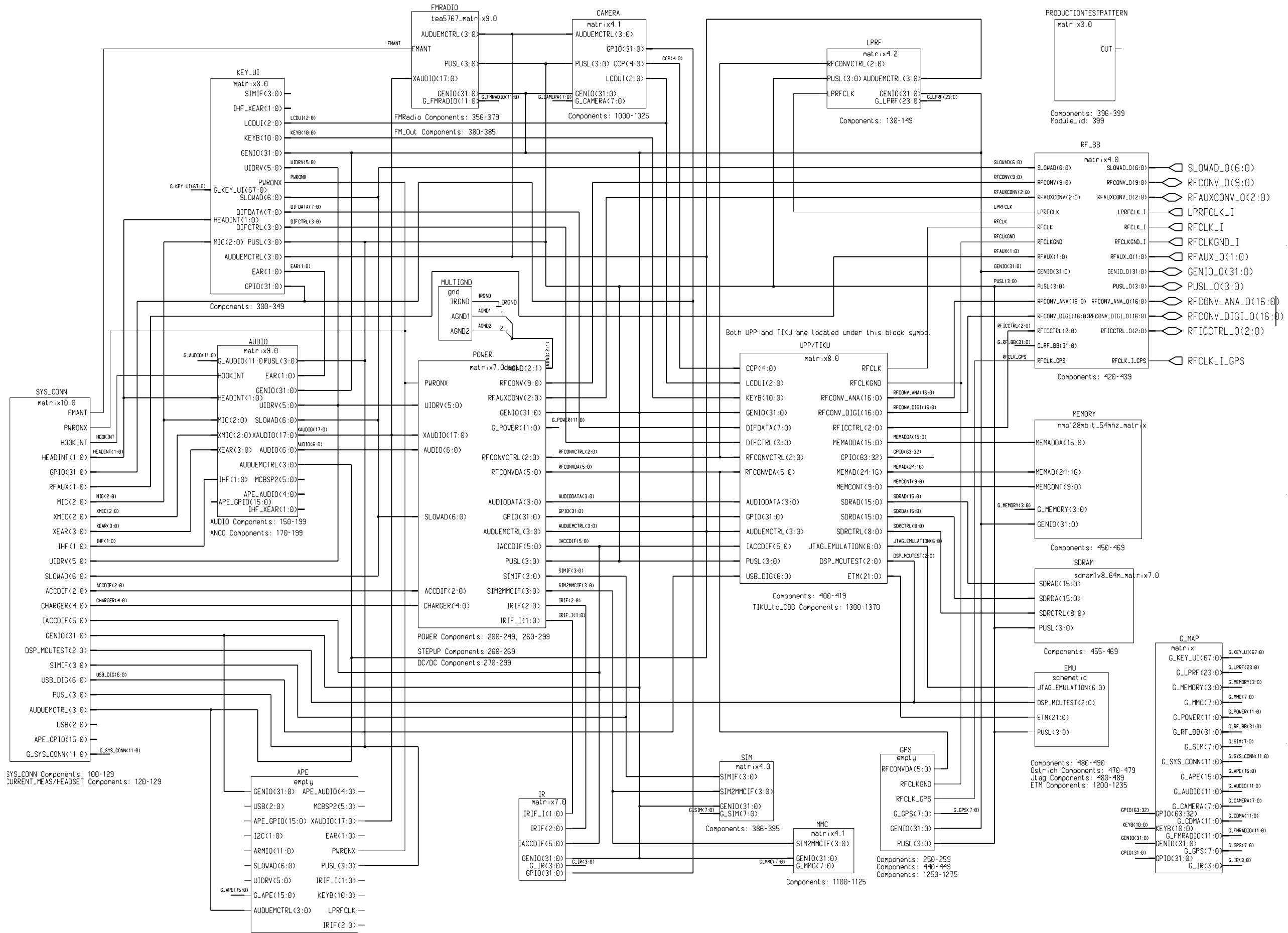
Tracking Filter: R534, R535

RF9204 Power Amplifier and Power Detection, v. 0.2, ed. 63

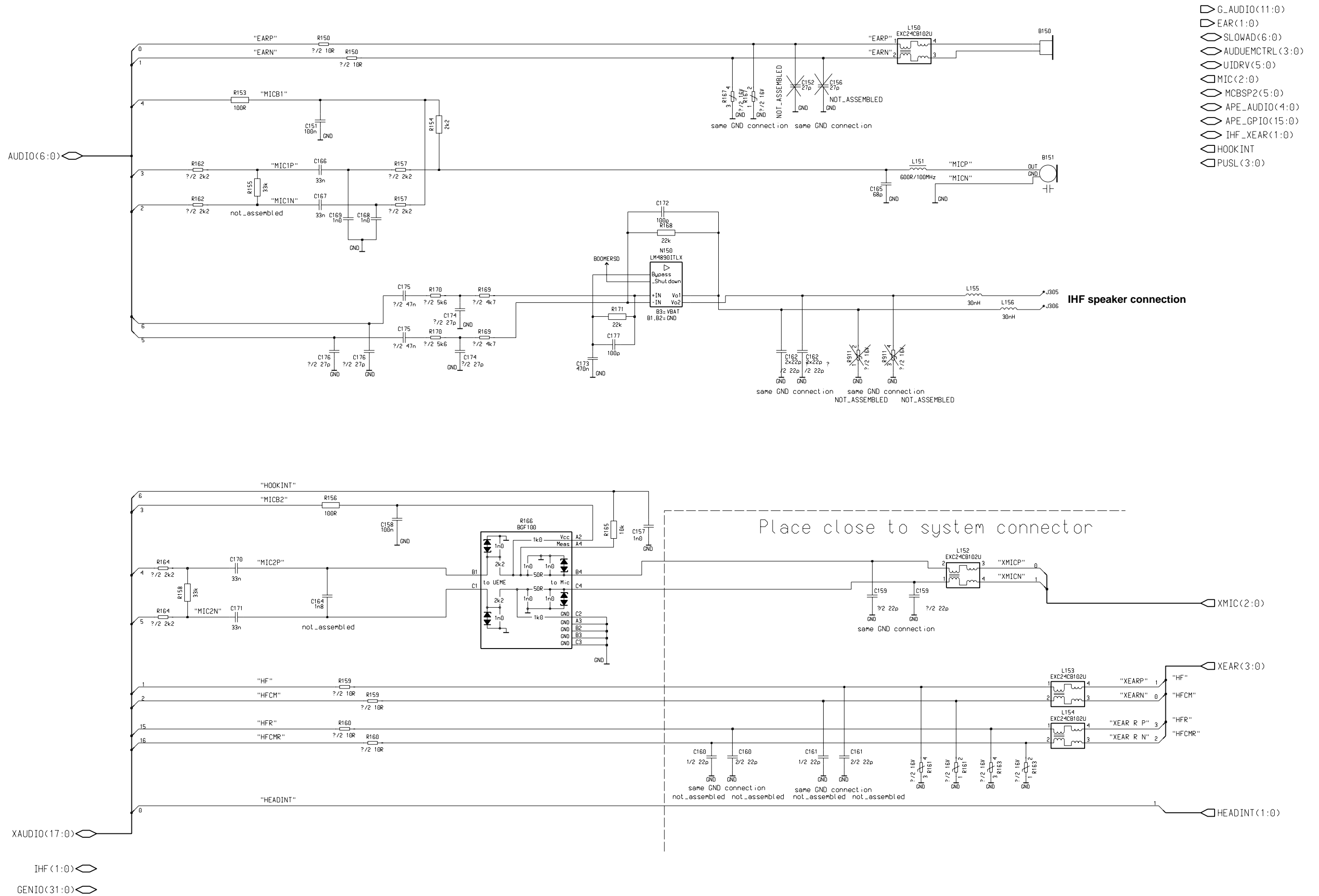


Last references :
 C731
 R714
 L705

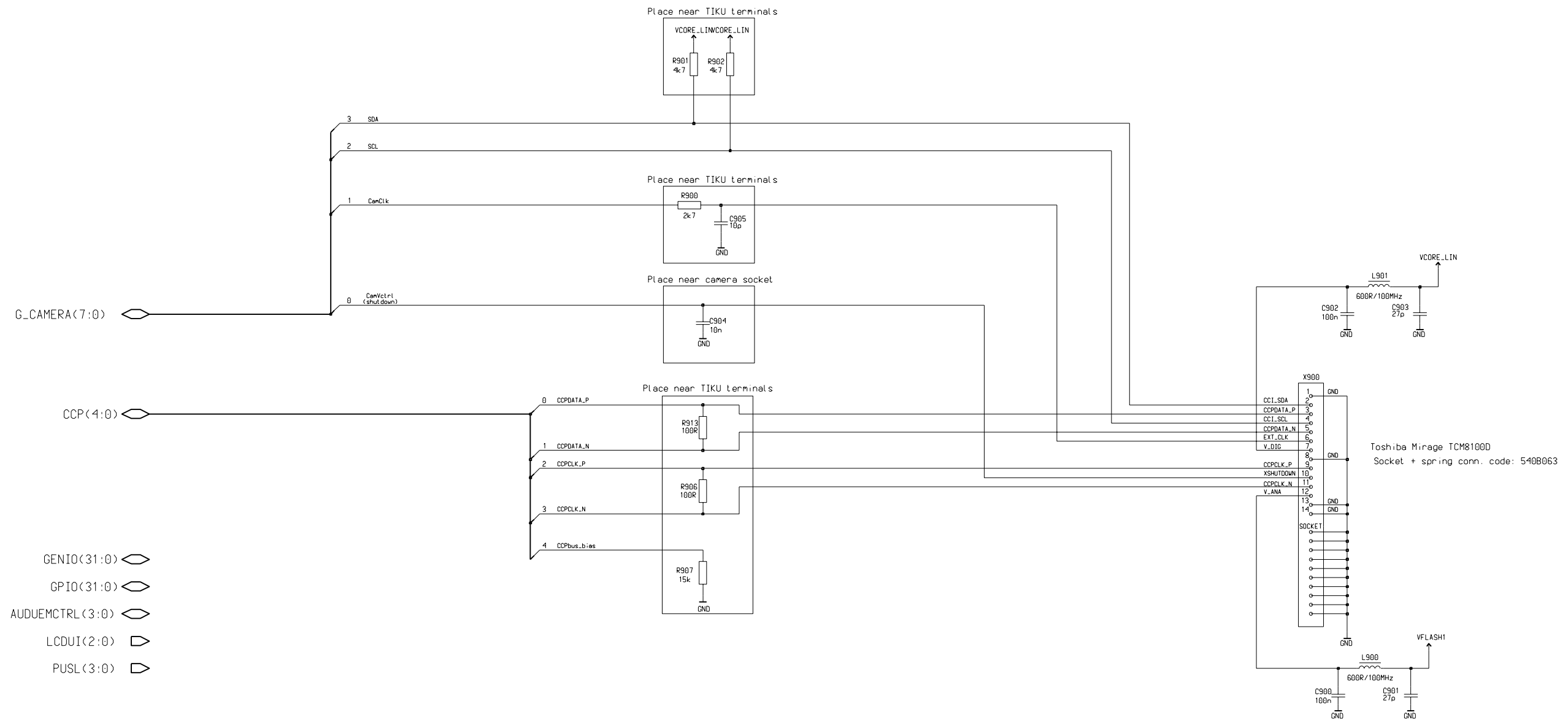
BR4.5 Top Level, v. 6.1, ed. 29



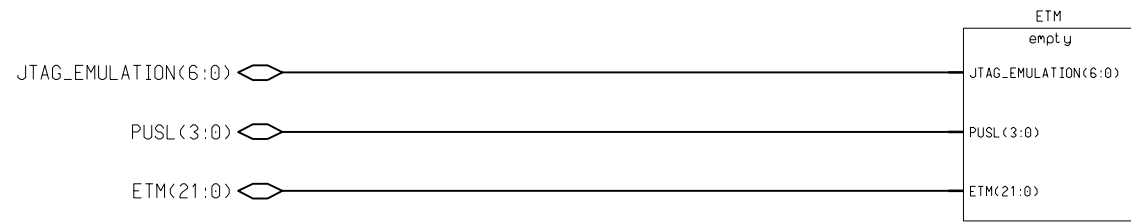
BR45 Audio, v. 1.6, ed. 167



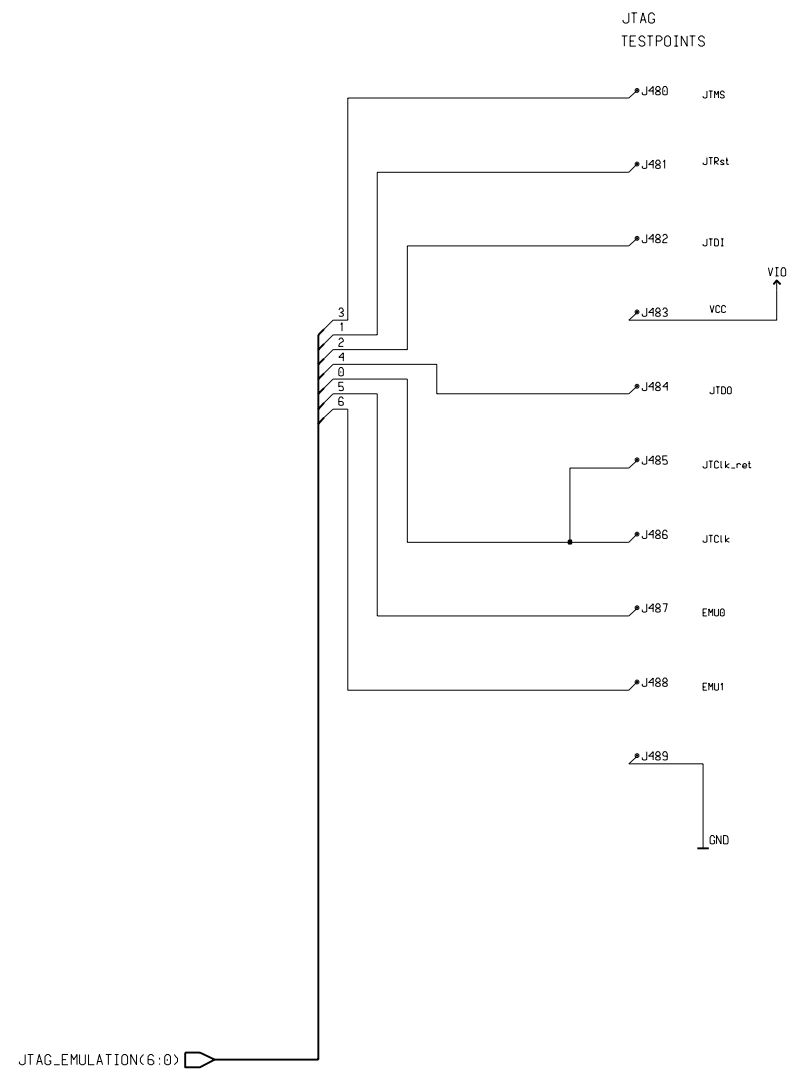
Mirage 2 VGA Camera, v. 1.1, Ed. 194



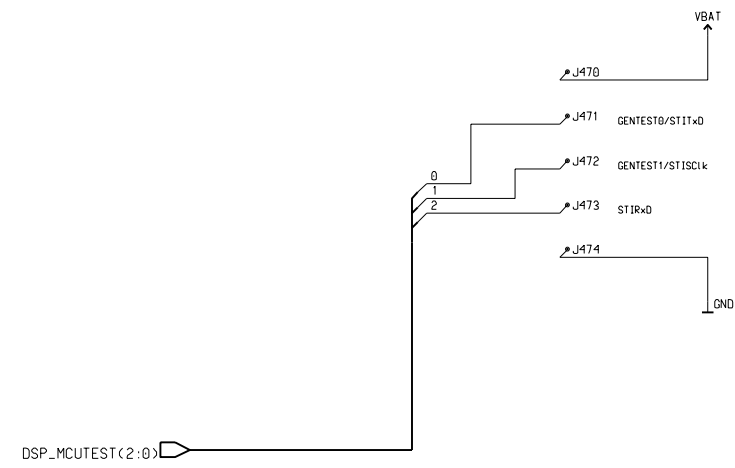
Test and Emulator Interface, v. 2.0, ed. 41



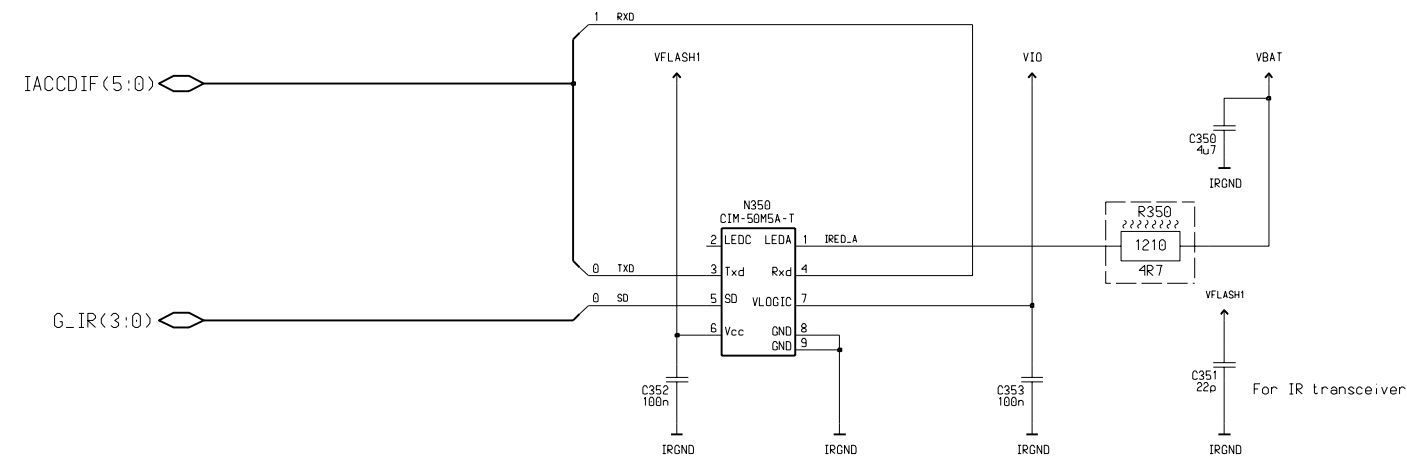
Testpoints for JTAG Emulator, v. 1.3, ed. 12



Testpoints Based Ostrich Interface, v.1.3, ed. 12

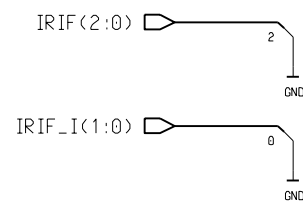


Citizen IR Module 1.8V, v. 6.1.8, ed. 55



GENIO(31:0)

GPIO(31:0)

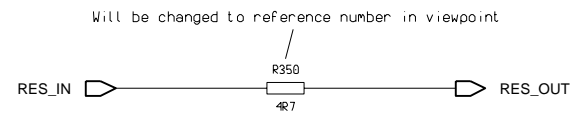


UEM IR level shifters are ground, when 1.8V IR is used!

Used referenses

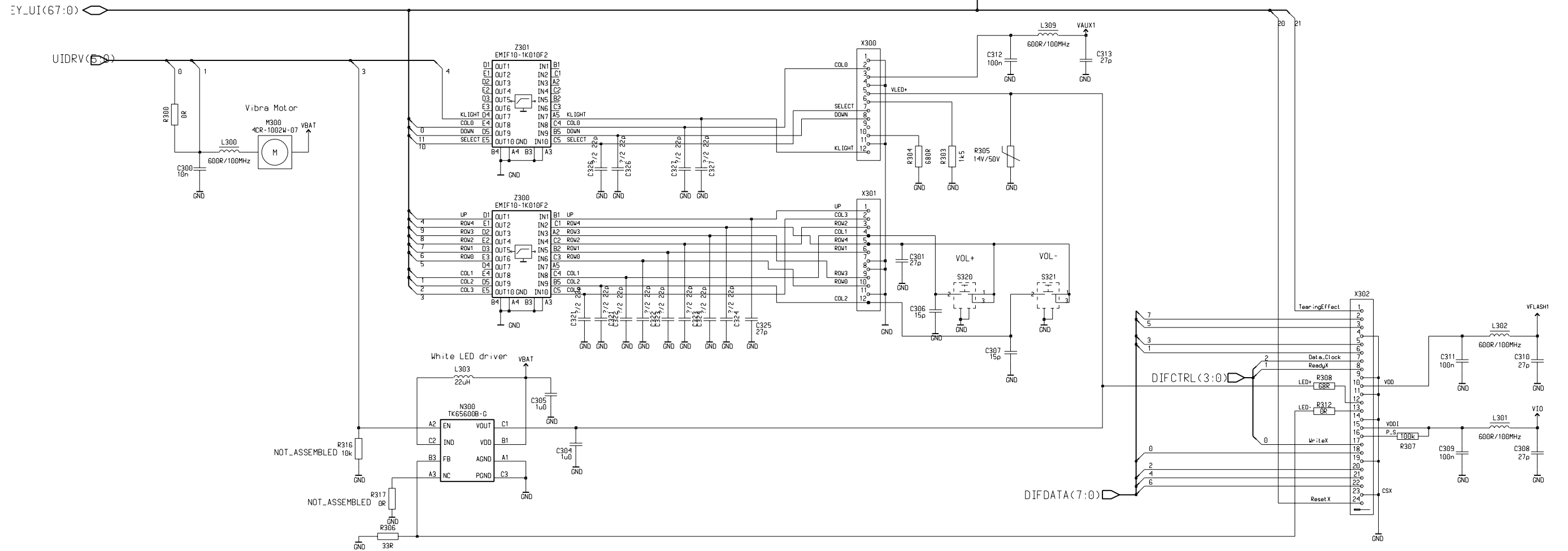
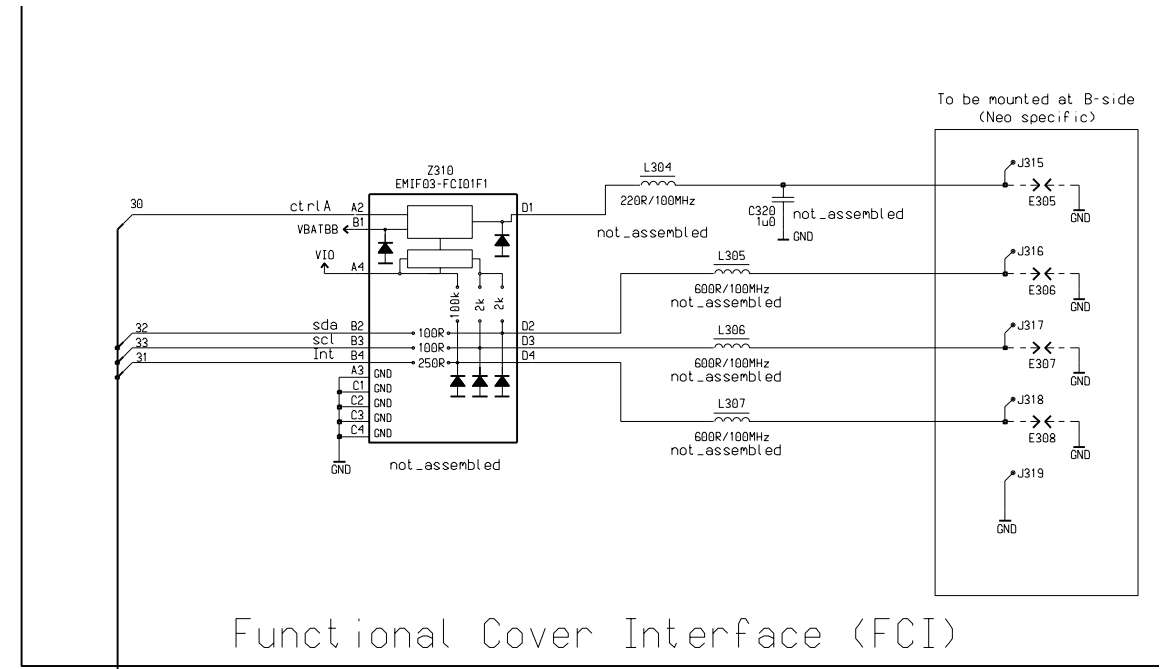
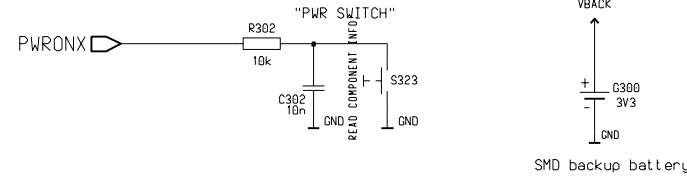
- C 350 - 353
- N 350
- R 350

IR Resistor 1210, v. 0, ed. 6

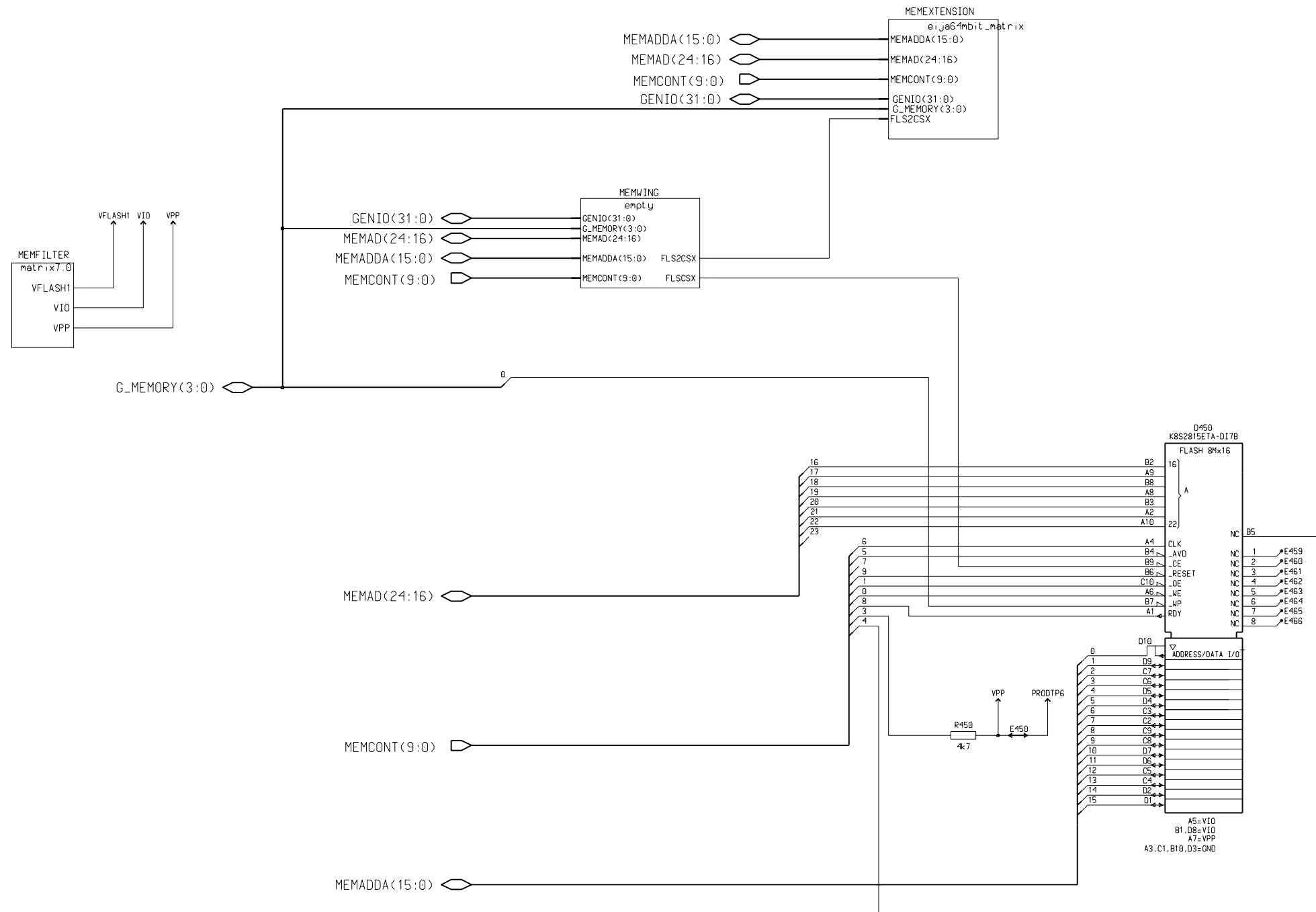


Key UI, v. 1, ed. 326

- MIC<2:0>
- PUSL<3:0>
- AUDUEMCTRL<3:0>
- LCDUI<2:0>
- EAR<1:0>
- HEADINT<1:0>
- SIMIF<3:0>
- IHF_XEAR<1:0>
- SLOWAD<6:0>
- GENIO<31:0>
- KEYB<10:0>
- GPIO<31:0>



Flash Memory 128 Mbit, v. 2.0, ed. 74

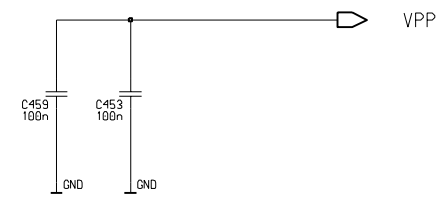
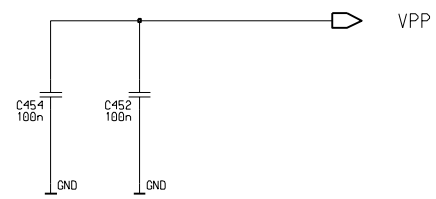
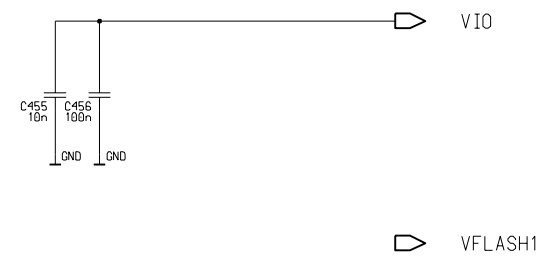


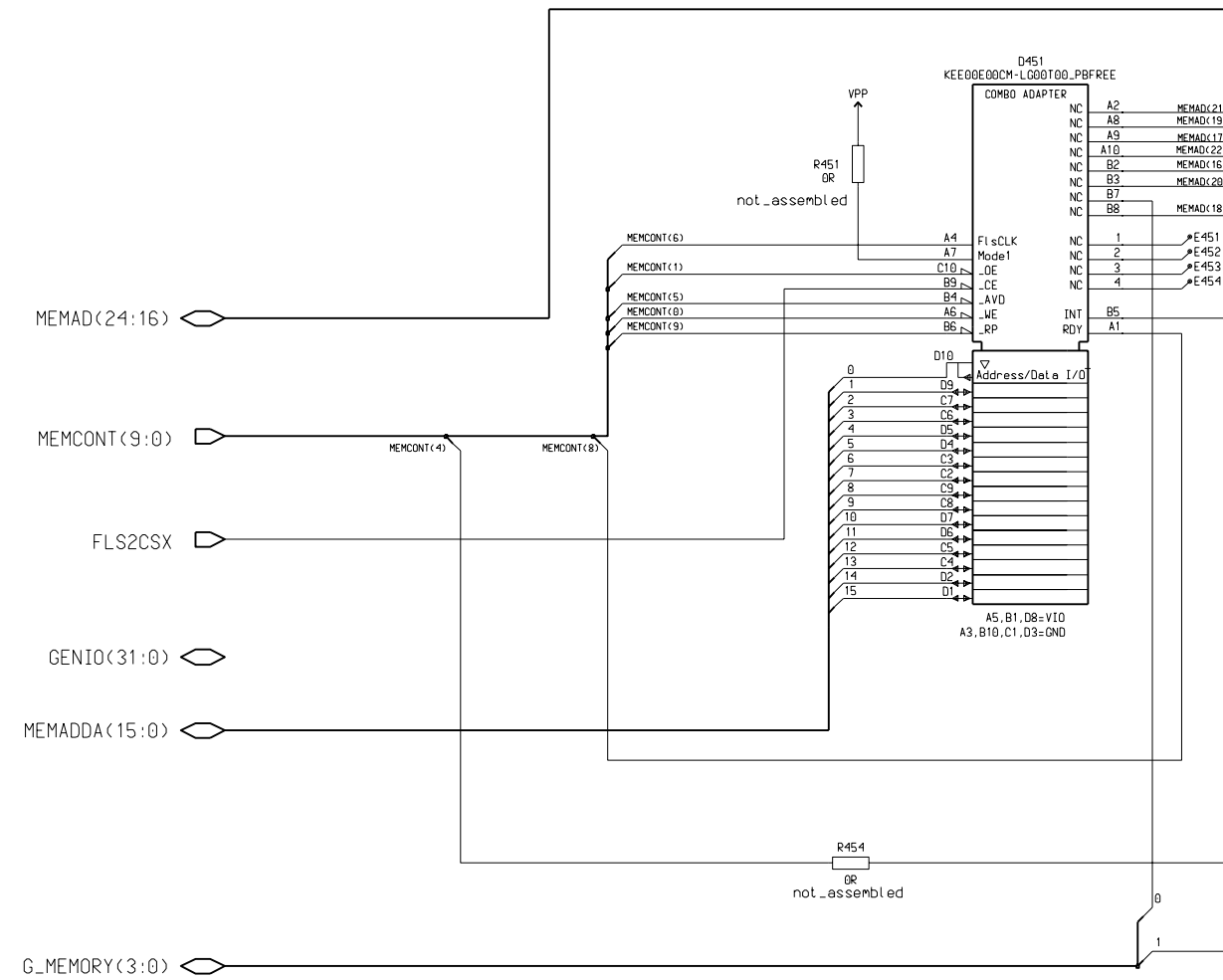
Discrete Capacitors for two Memories without VFlash1, v. 1.3, ed.11

Decoupling capacitors for 1st flash



Decoupling capacitors for 2nd flash

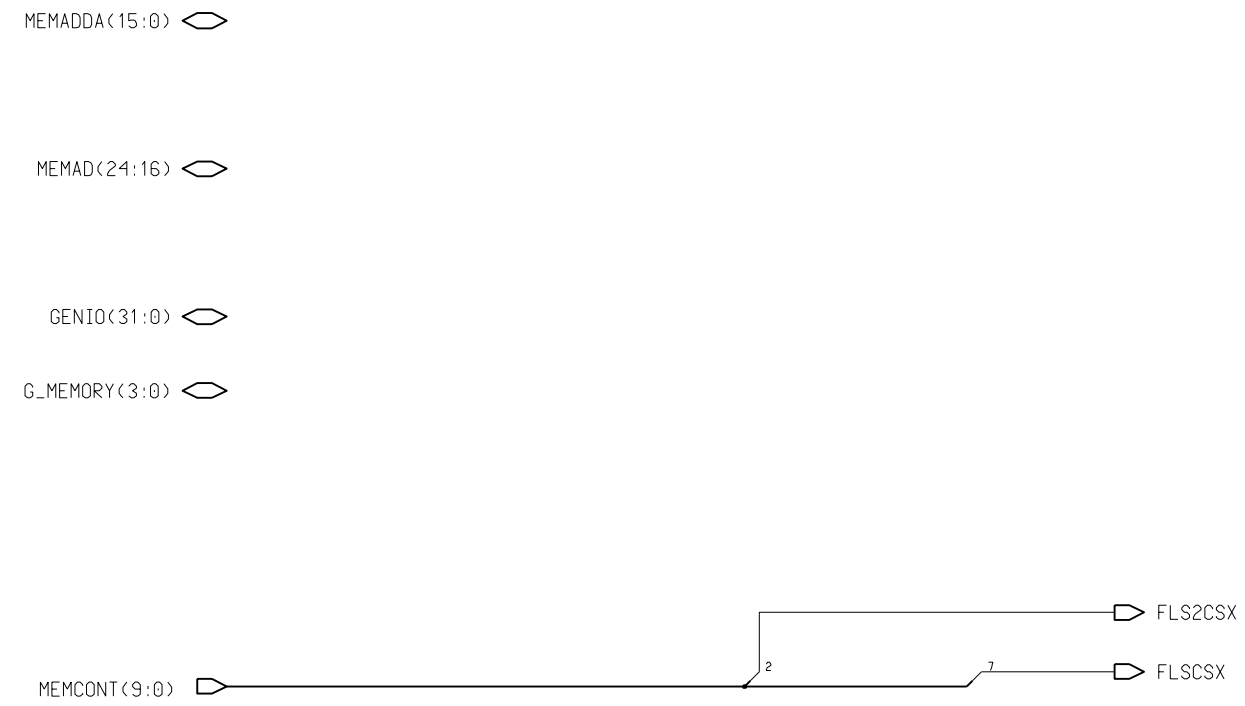




Resistors R451 and R454 are added into schematics to make it possible to replace NAND FLASH by NOR FLASH if necessary. Later when NAND FLASH will achieve more mature state, these resistors will be removed.

In case of NAND FLASH, memory pin A7 and B7 need to be n.c. on PWB. B5 need to be connected to GENIO<13> only.

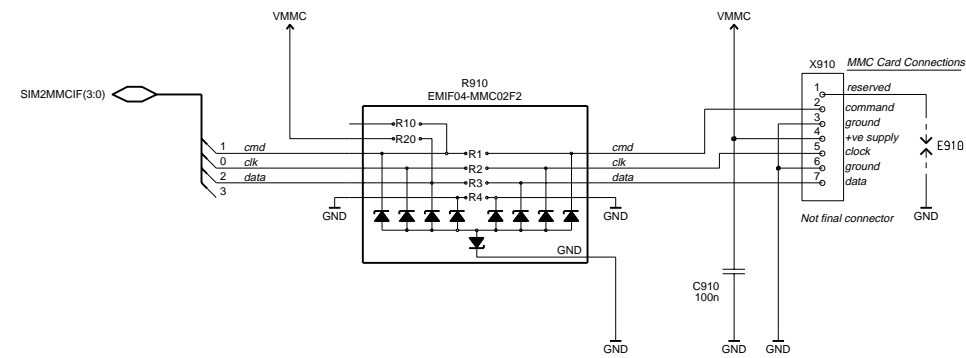
Empty Wing Sheet, v. 0, ed. 10



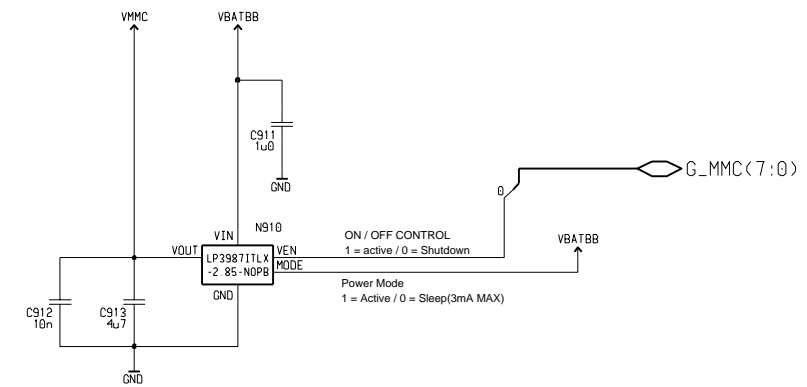
E915

MMC Interface, v. 2.1, ed. 79

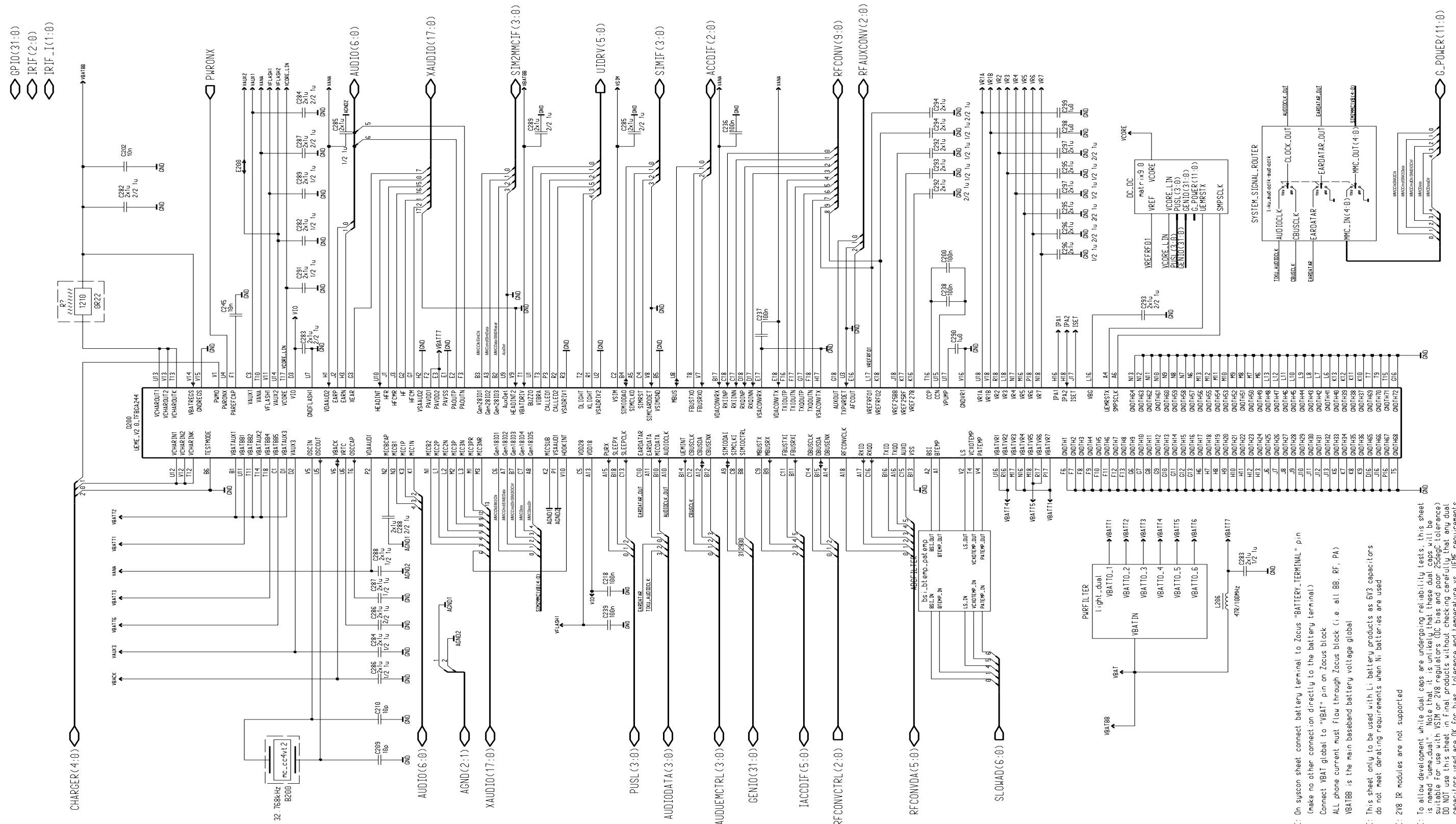
GENIO<31:0>



NOTE: The MMC specification imposes the following impedance limits
 Command pullup resistance 4.7k to 100k
 Data pullup resistance 50k to 100k
 EMIF02-MMC R10=13k (therefore only suitable for command line)
 EMIF02-MMC R20=56k (therefore only suitable for data line)
 EMIF02-MMC R1/R2/R3/R4=47R
 UEME includes a 13k pullup between GEN28IO2 (command) and VALUX1
 so EMIF02-MMC R10 is left unconnected. UEME has no pullup on GEN28IO3 (MMC data)



UEME Power Management - Dual 1 uF 6V3 Capacitors, v 1.0, ed. 307



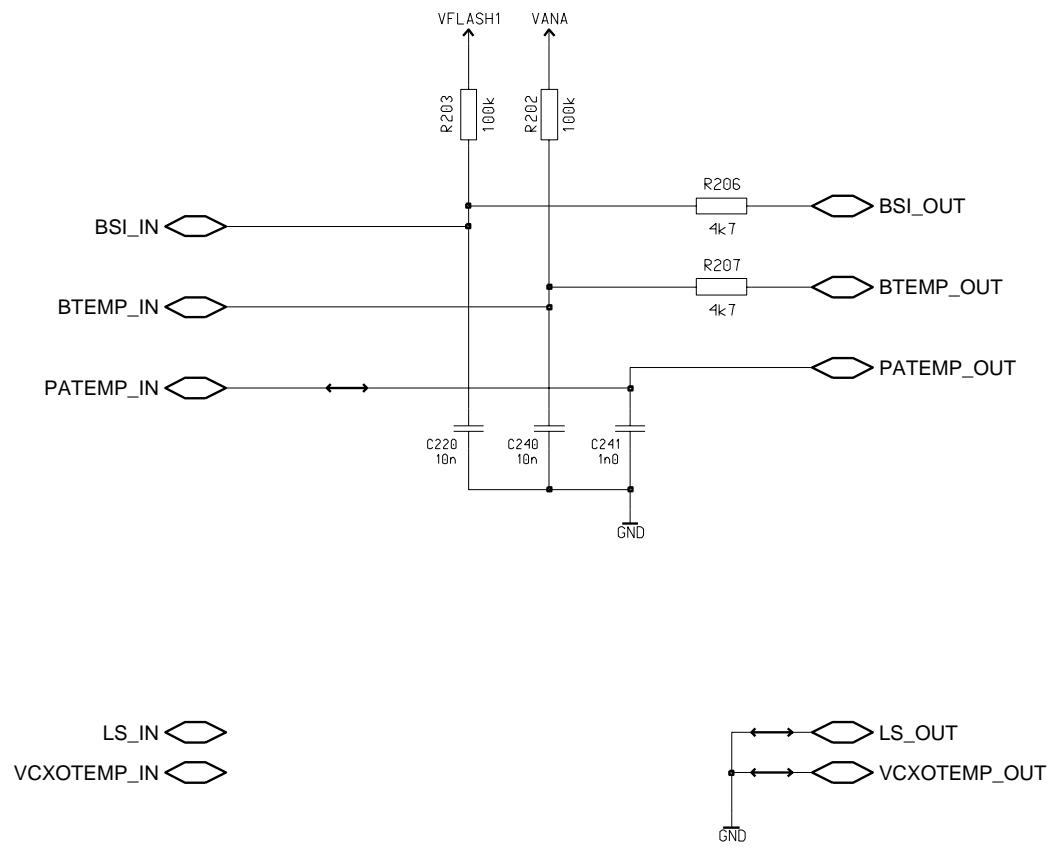
NOTE: On syscon sheet connect battery terminal to Zocus "BATTERY_TERMINAL" pin (make no other connect on directly to the battery terminal)
 Connect VBAT global to "VBAT" pin on Zocus block
 ALL phone current must flow through Zocus block (i.e. all BB, RF, PA)
 VBATBB is the main baseband battery voltage global

NOTE: This sheet only to be used with Li battery products as 6V3 capacitors do not meet derating requirements when Ni batteries are used

NOTE: V18 IR modules are not supported

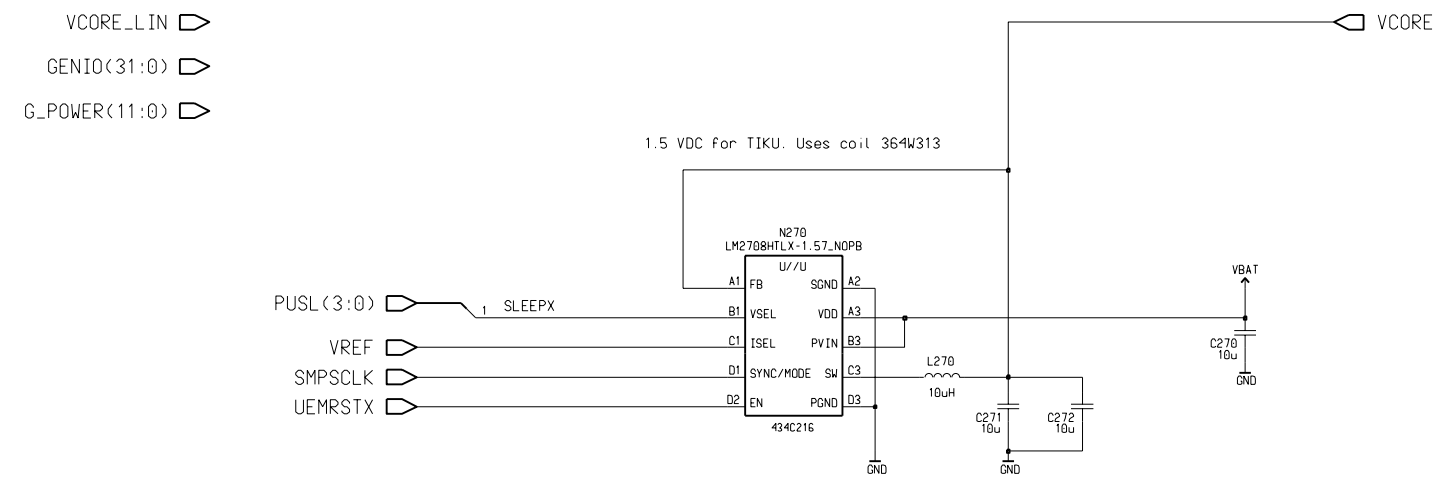
NOTE: To allow development while dual caps are undergoing reliability tests, this sheet is named "ueme_dual". Note that it is unlikely that these dual caps will be available for use with V3H or V18 regulators (DC bias and poor ESR/ESL tolerance) DO NOT use this sheet in final products without checking carefully that any dual capacitors used are OK for bias, tolerance and temperature vs. UEME requirements

UEME ADC Filter Block - BSI, BTEMP and Active PATEMP, v. 1.0

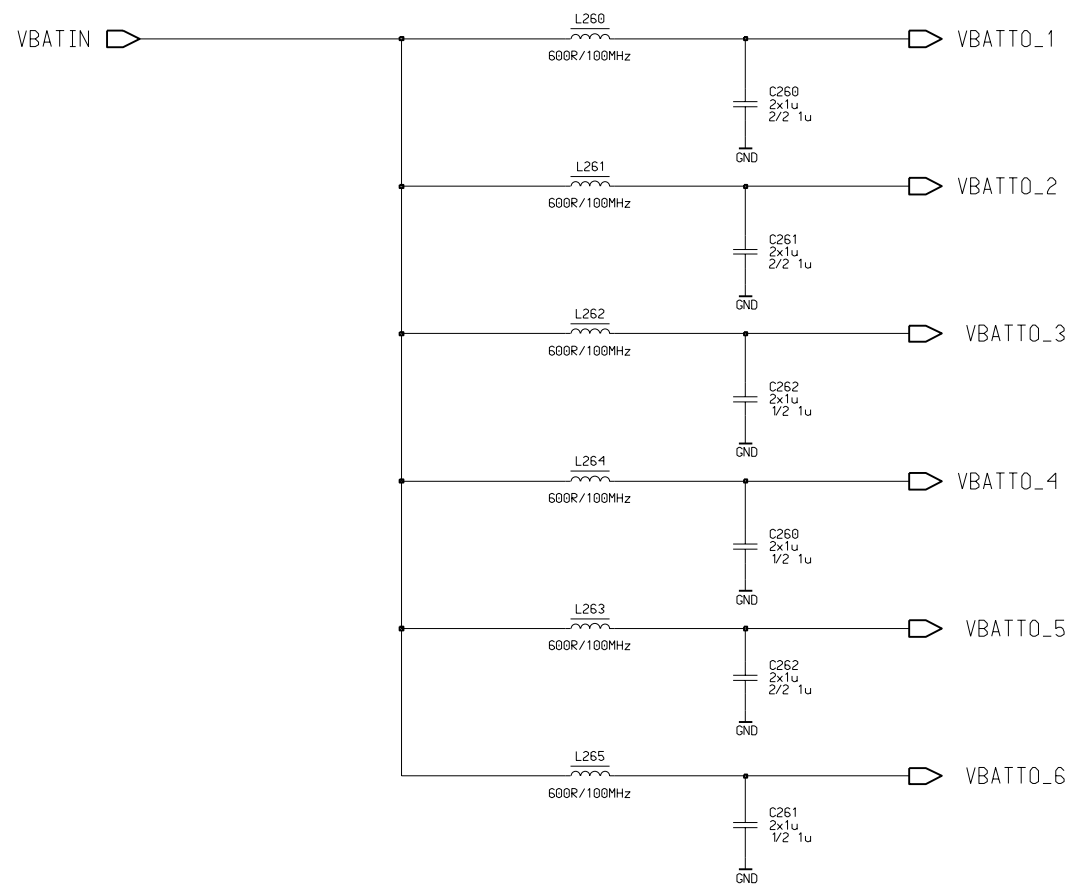


NOTE: Helga RF drives PATEMP directly
so PATEMP does not need a pullup

DC_DC for TIKU and VIO, v. 1.7, ed. 75

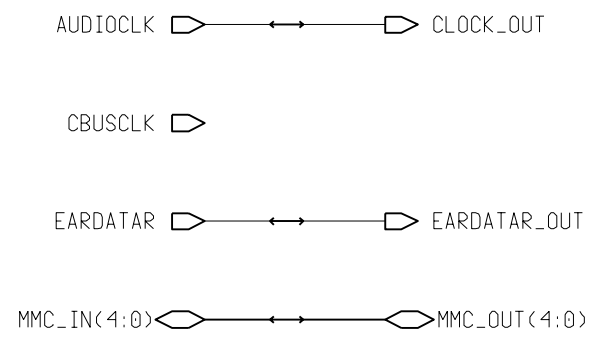


Light Filtering for Projects using 1uF Caps, v. 1.0



NOTE: This sheet uses dual 1uF capacitors. Check that full approval has been granted for these parts before use, or use this sheet at risk

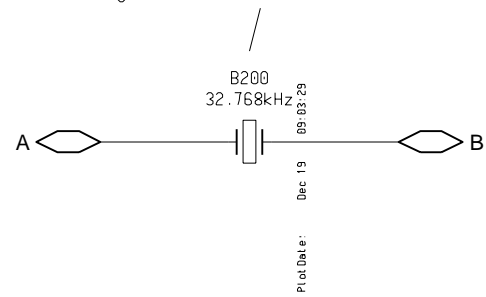
Digital-ASIC-dependent Signal Routing - TikuXX Systems, v. 1.0



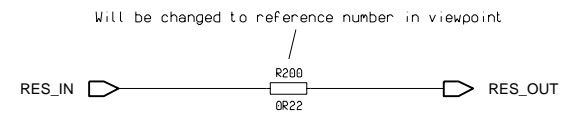
E916

32KHz Crystal - Micro Crystal CC4VT2, v. 0, ed. 6

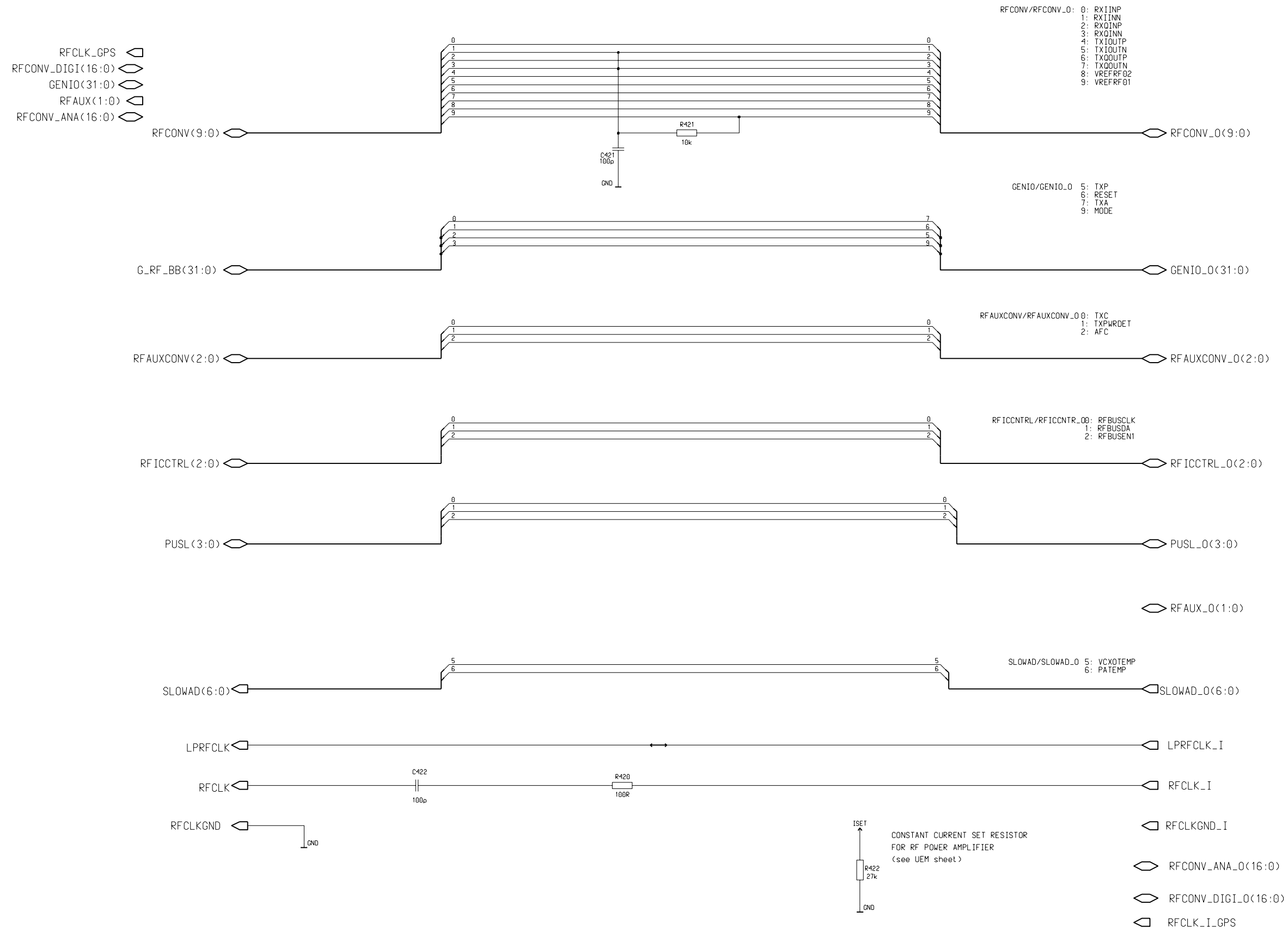
Will be changed to reference number in viewpoint



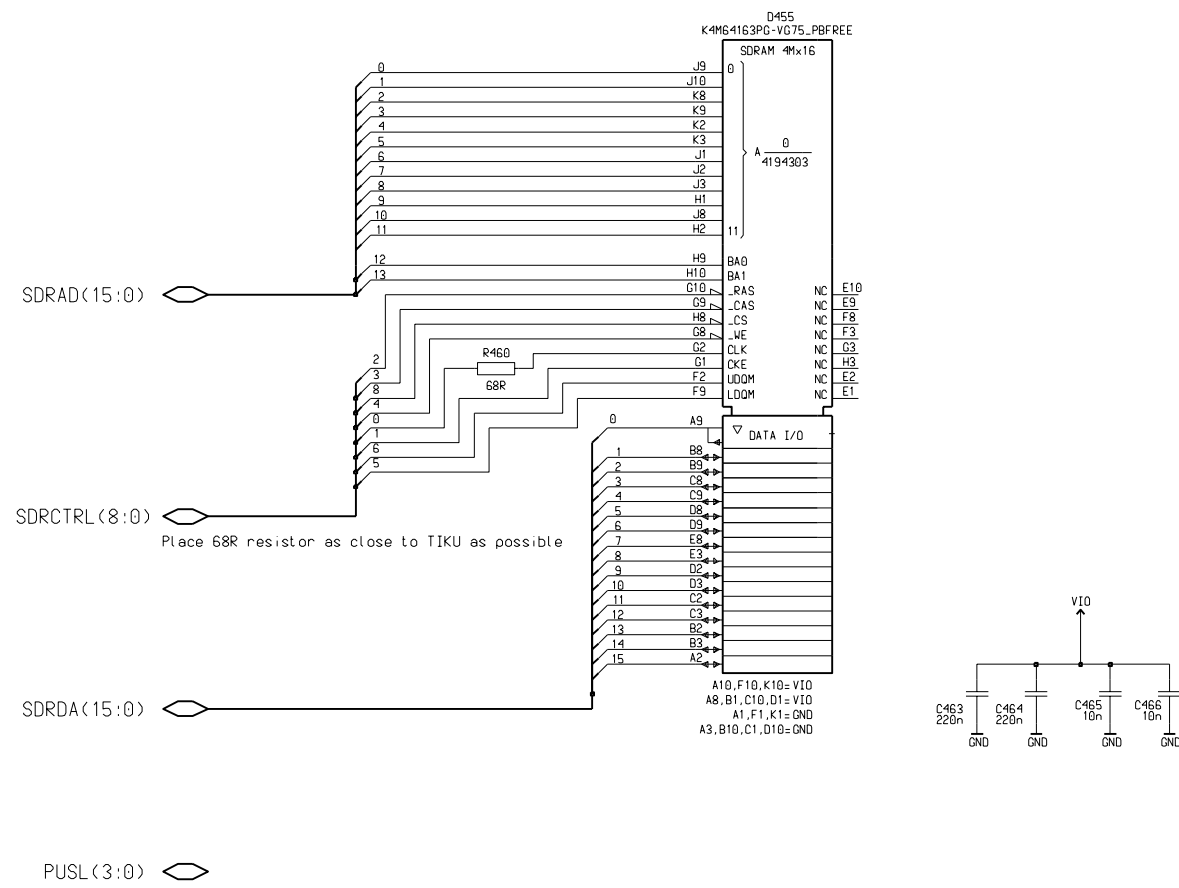
PWR Resistor 1210, v. 0, ed. 4



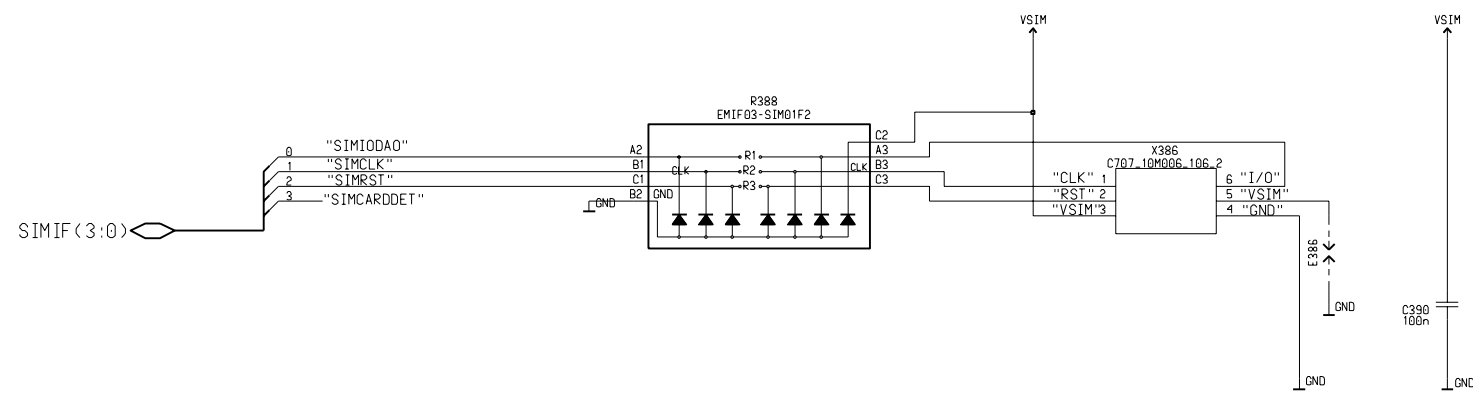
GSM RF - Baseband Interface, v. 1.3, ed. 64



IPA1 AND IPA2 ARE USED IN RF, THE TOLERANCE OF R422 IS 1% (0402, 1430873)



SIM Reader, v. 1.3, ed. 66

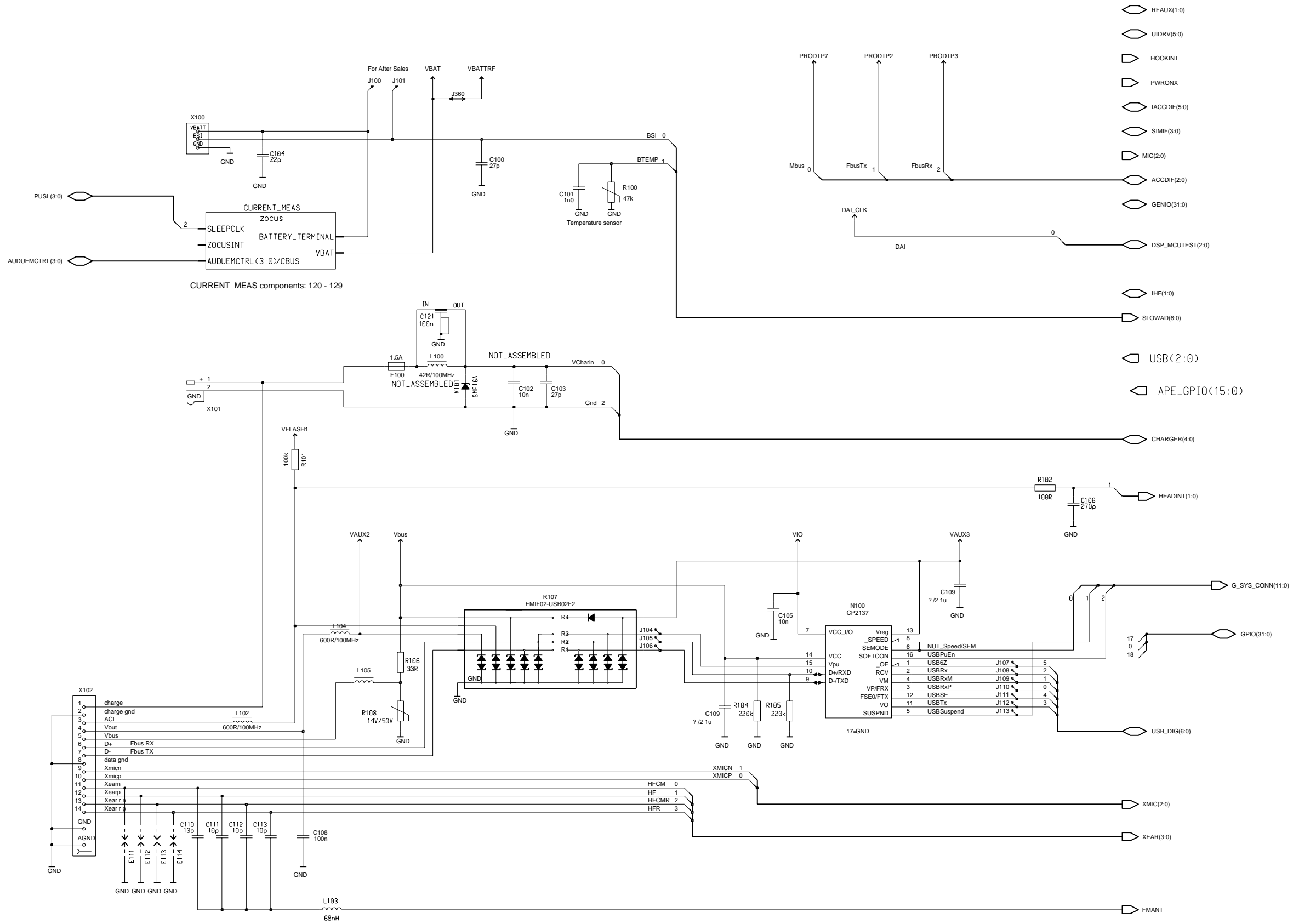


GENIO<31:0>

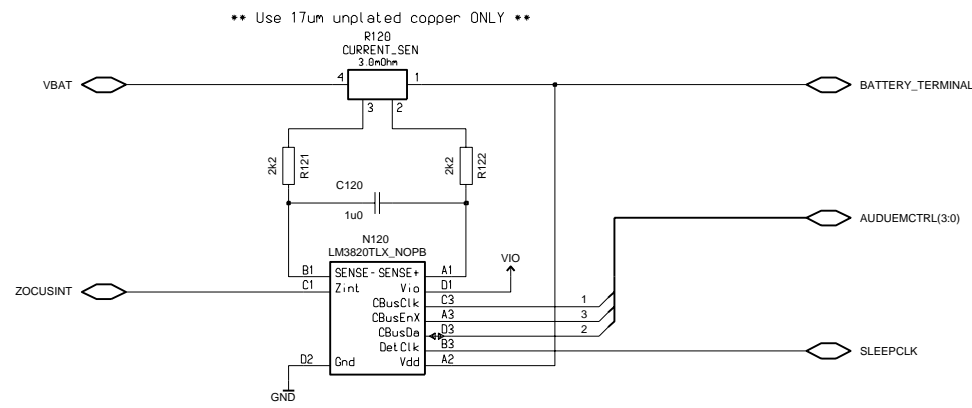
SIM2MMCIF<3:0>

G_SIM<7:0>

System Connector, v. 0.0, ed. 196

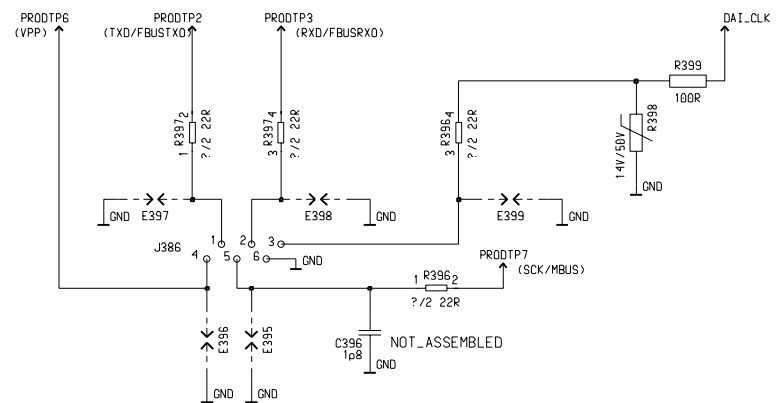


Current Measure, v. 0, ed. 18

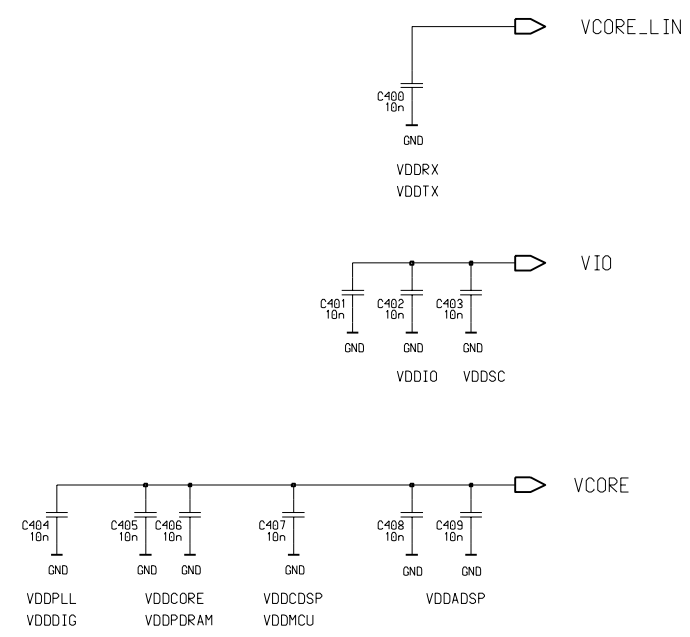


5 pin Production Test Pattern, v. 2.0, ed. 52

▷ OUT

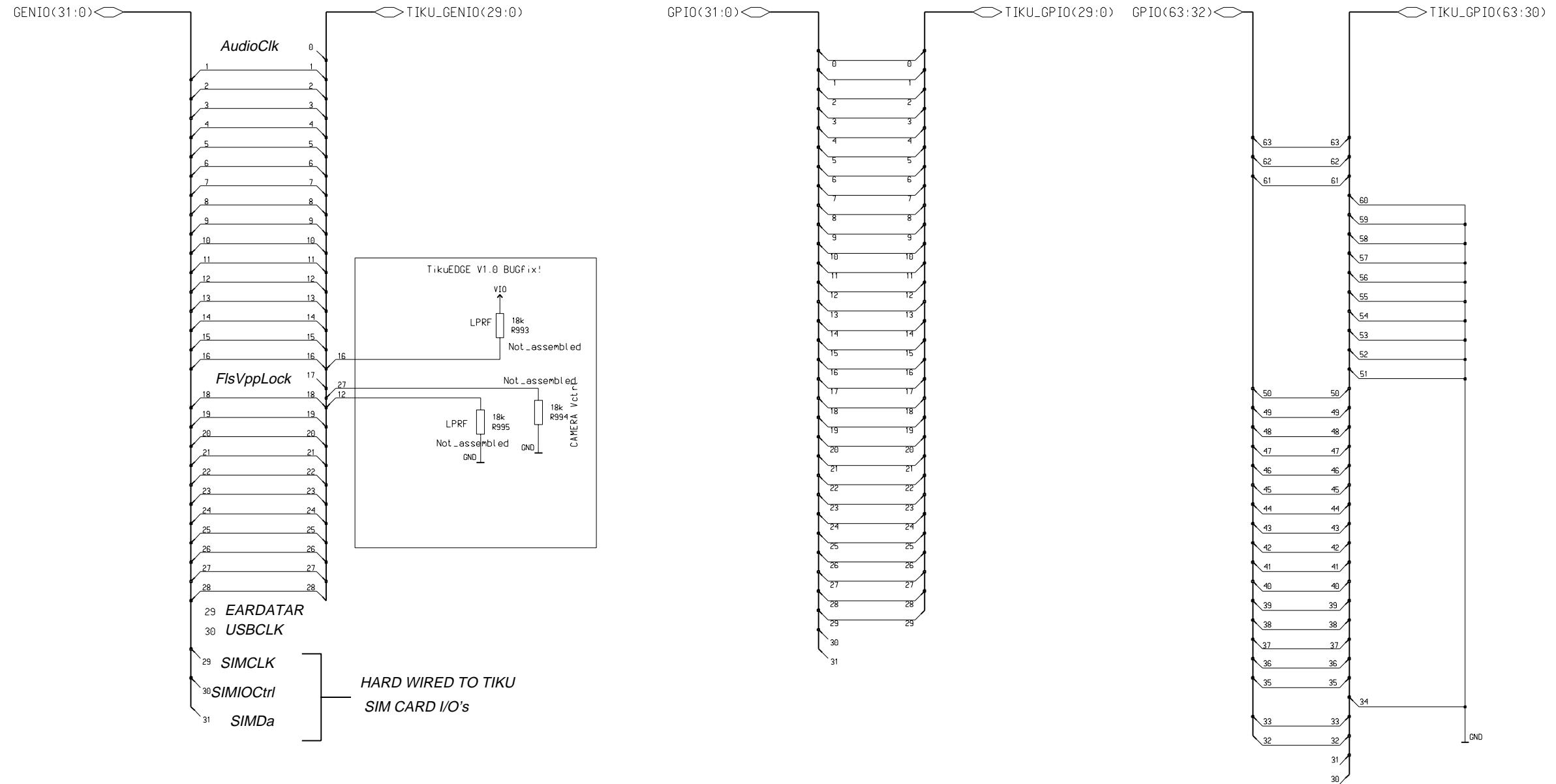


Discrete Decoupling Capacitors for Tiku, v. 0, ed. 12

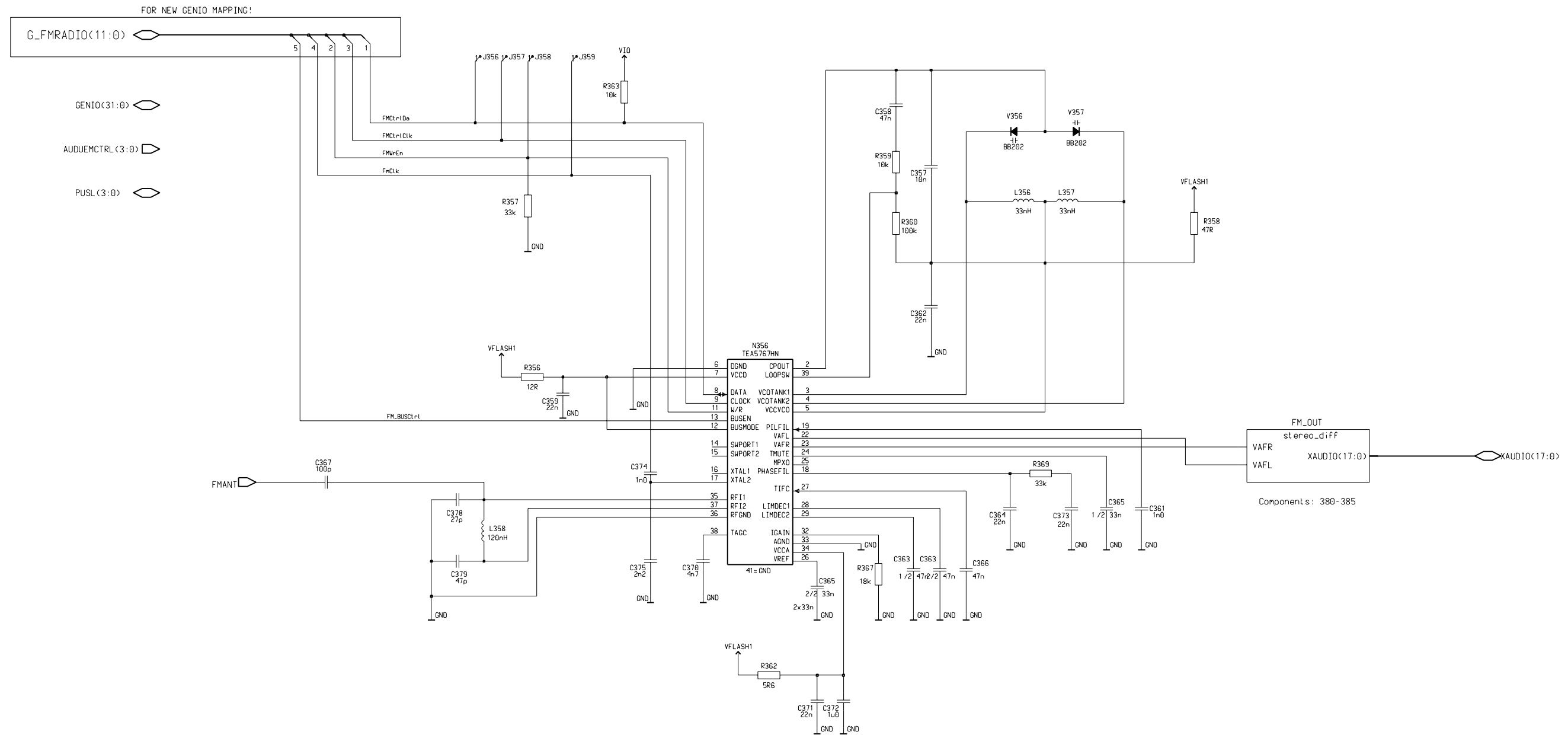


TikuEDGE Bus Conversion Sheet, v. 1.2, ed. 102

ETM(21:0)



FM Radio Unit, v. 1.3, ed. 198

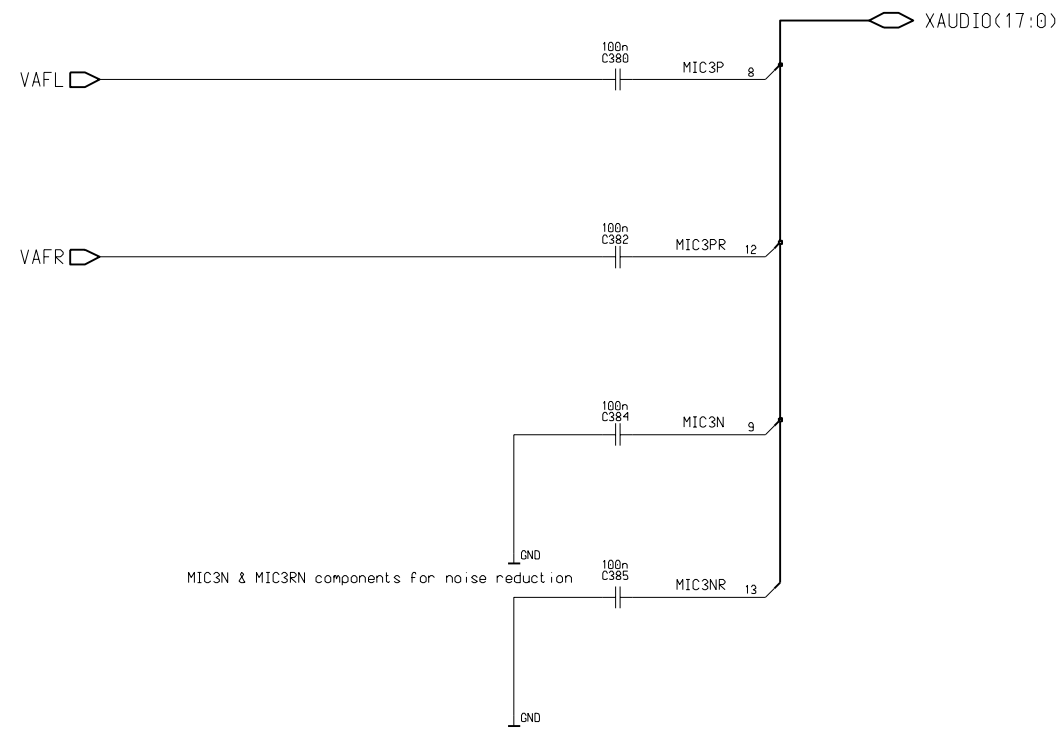


UPDATE symbol to support RDS

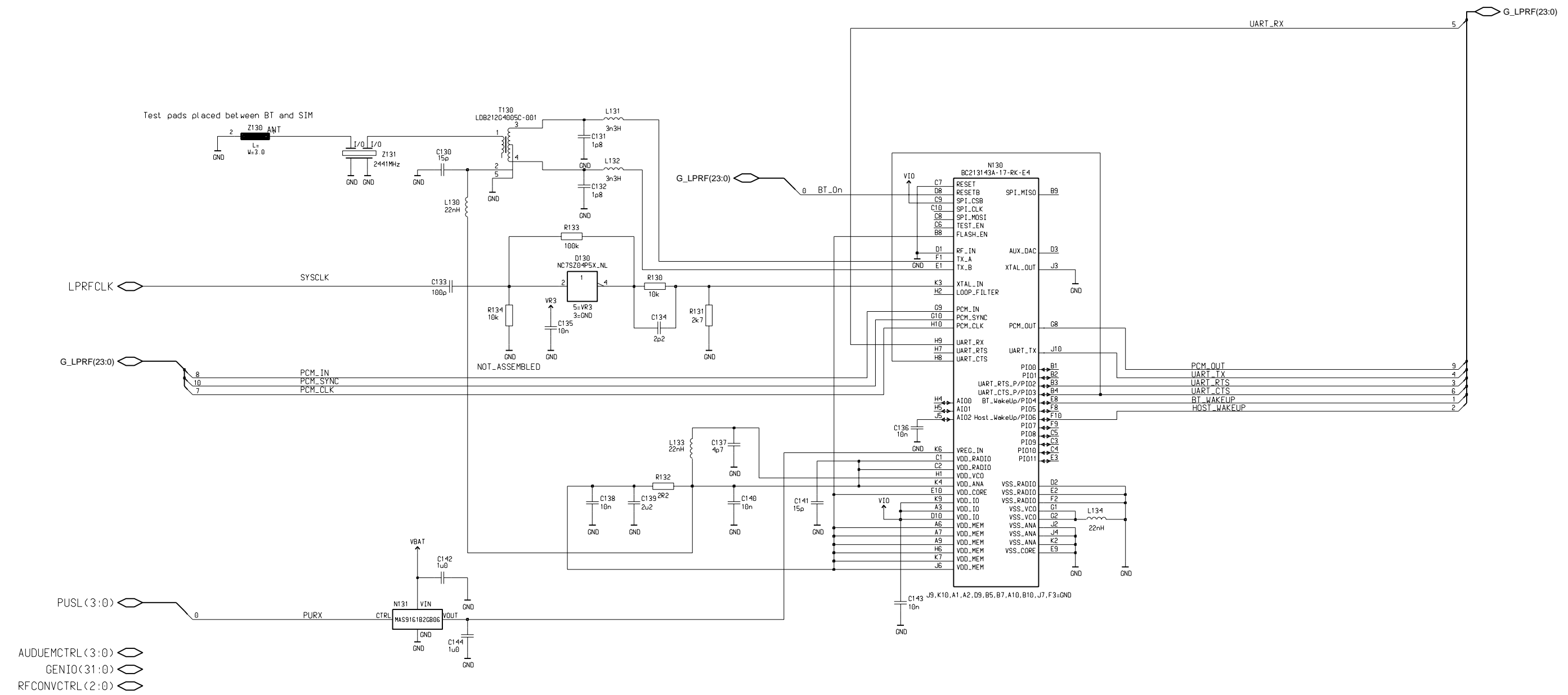
Notice:

C374 (1n0) and C375 (2n2) are configured for 32kHz reference clock
 If reference clock is 6.5MHz, use C374 (3p9) and C375 (10p)

Differential Stereo. v. 0.0, ed. 7



Low Power RF Module



GENIO and GPIO Connection Block, v. 0.0, ed. 38

